

Licencensor:



Designer: Elena

Drawing No: 006

Date: 02.11.2013

Product:
Toiletory Floor Display Unit
(Empty)

Art. nr. 030510000
EAN: 4042288030511
PU: 01

Pantones/Process/Tints:

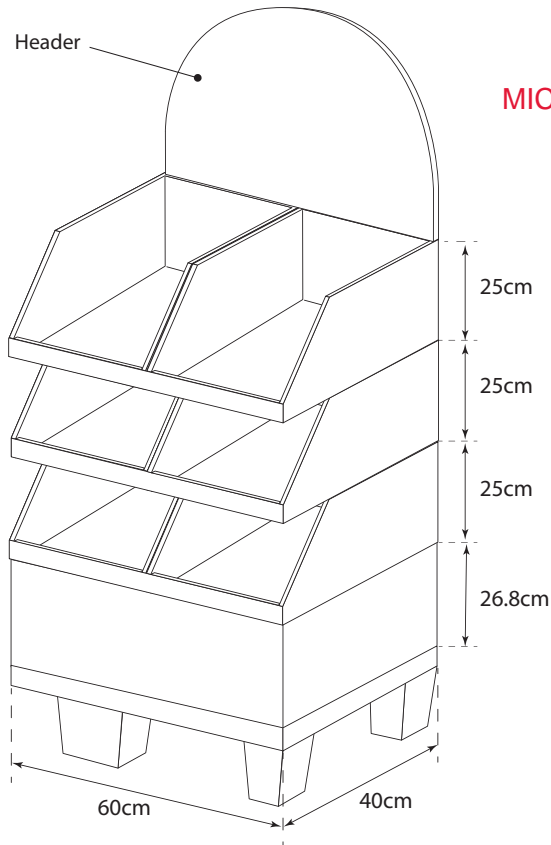
Fonts:

Logo: TBC

Product name: TBC



Beauty & Care AG
Hinterbergstr. 26
CH-6330 Cham
Telefon: CH +4141 7838686
Fax: CH +4141 7838687



EXAMPLE OF DISPLAY WITH
MICKEY & MINNIE MOUSE PRODUCTS



		Total/Layer	Total Qty/display
20210000	Bath Foam 750ml Mickey	5	15
20212000	Shampoo & Shower Gel 300ml Mickey	10	30
202520000	3D Bath Foam Mickey	4	12
201970000	3D Bath Foam Minnie	4	12
01250 3D	Handwash Minnie	4	12
202740000	Shampoo & Shower Gel 300ml Minnie	10	30

111 pcs.